

Line pressure regulator HP 302

- single stage (4-port) max 300 bar inlet pressure



Fittings and gauges optional

Description:

The pressure regulator HP 300 is a single stage line pressure regulator with metal diaphragm.

Application area:

For integrating in pipe systems or (analytical) instruments.

High purity gas quality in science and research.

Due to special cleaning system also suitable for ECD application.

Technical details:

Body:	stainless steel 1.4404 electropolished or brass, nickel & matt chrome plated
Seat:	PCTFE
Diaphragm:	1.4435
Leakage rate: against atmosphere	10^{-8} mbar l/s He
Gas purity:	≤ 6.0
Max. Inlet pressure:	300 bar
Outlet pressure ranges:	0,1-1; 0,1-3; 1-6; 1-12; 1-17 bar
Operating temp.:	-20°C to +70°C
Gauges:	safety version to EN 837-1 KL1,6
Dimensions (wxhxd):	180 x 95 x 125
Weight:	1200g

Hornung Quality standard

The company Hornung is certified to

DIN EN ISO 9001 and ISO 14001:2009.

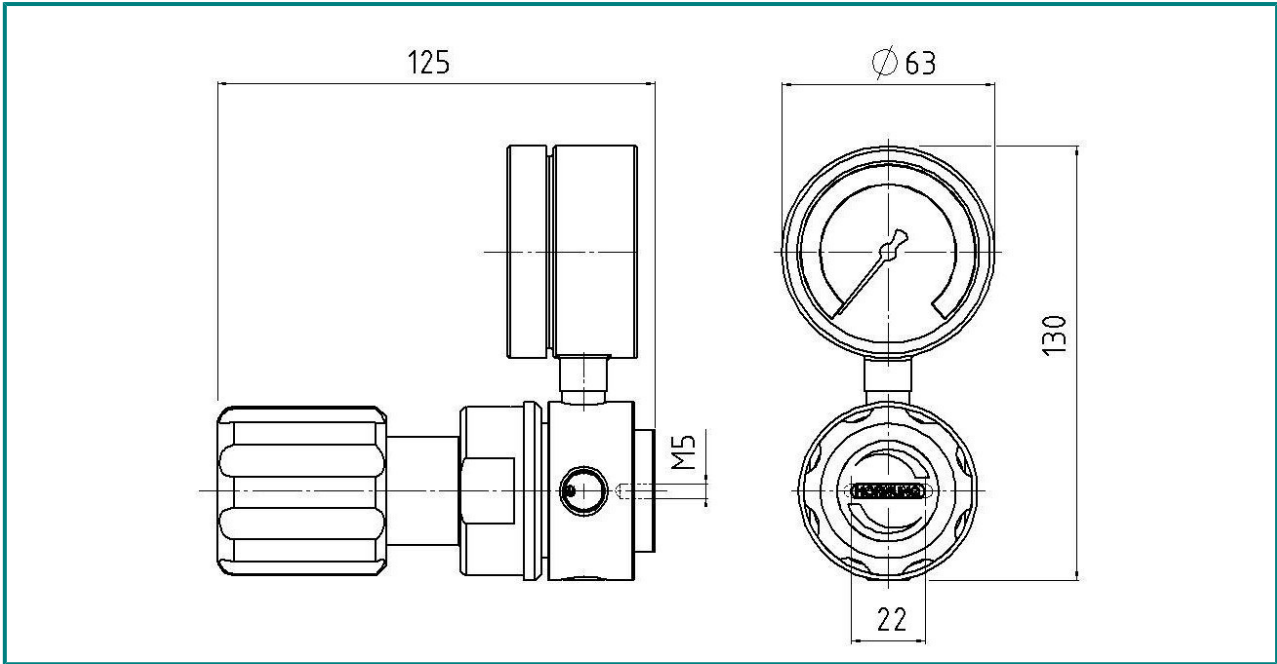
All single parts are manufactured, assembled and tested by in-house production.

The finished parts are therefore under all criteria of German quality control with 100% final inspection.

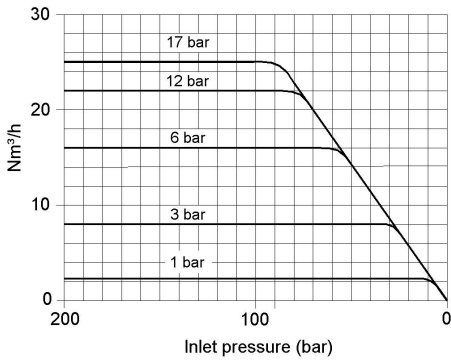
Hornung GmbH
Rathenaustraße 55, 63263 Neu-Isenburg

Phone: +49 6102 7883-70
Fax: +49 6102 7883-40

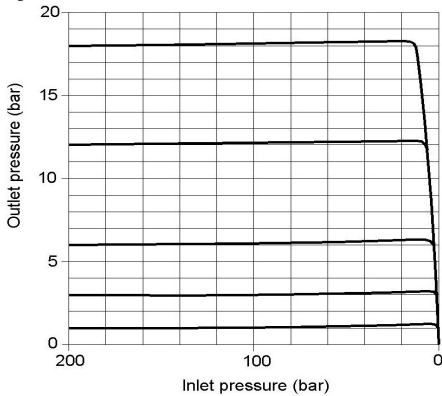
www.hornung.org
info@hornung.org



Performance curve HP 302



Dynamic flow curve HP 302



Accessories:

See total catalogue segment

- 7. Gauges, compression fittings and accessories

Ordering information:

Material:

- HP302 = stainless steel electropolished
- HP302MS = brass, nickel and matt chrome Plated

Inlet:

- 1 = from the left to the right
- 2 = from the right to the left

Outlet pressure ranges:

- 1 = 0,1 - 1 bar
- 2 = 0,1 - 3 bar
- 3 = 1 - 6 bar
- 4 = 1 - 12 bar
- 5 = 1 - 17 bar

Gauge:

- 1 = without gauges
- 2 = outlet gauge (working pressure)

Inlet – and Outlet Option:

- 0 = NPT 1/4" f
- 3 = compression fitting 3 mm
- 6 = compression fitting 6 mm
- 8 = compression fitting 8 mm
- 10 = compression fitting 10mm
- 12 = compression fitting 12mm

Order example:

Druckreglertyp	1-stage
HP302	4-port

HP302-	1	3	2	6	Medium
Type	Inlet	Pressure	Gauge	Option	Medium